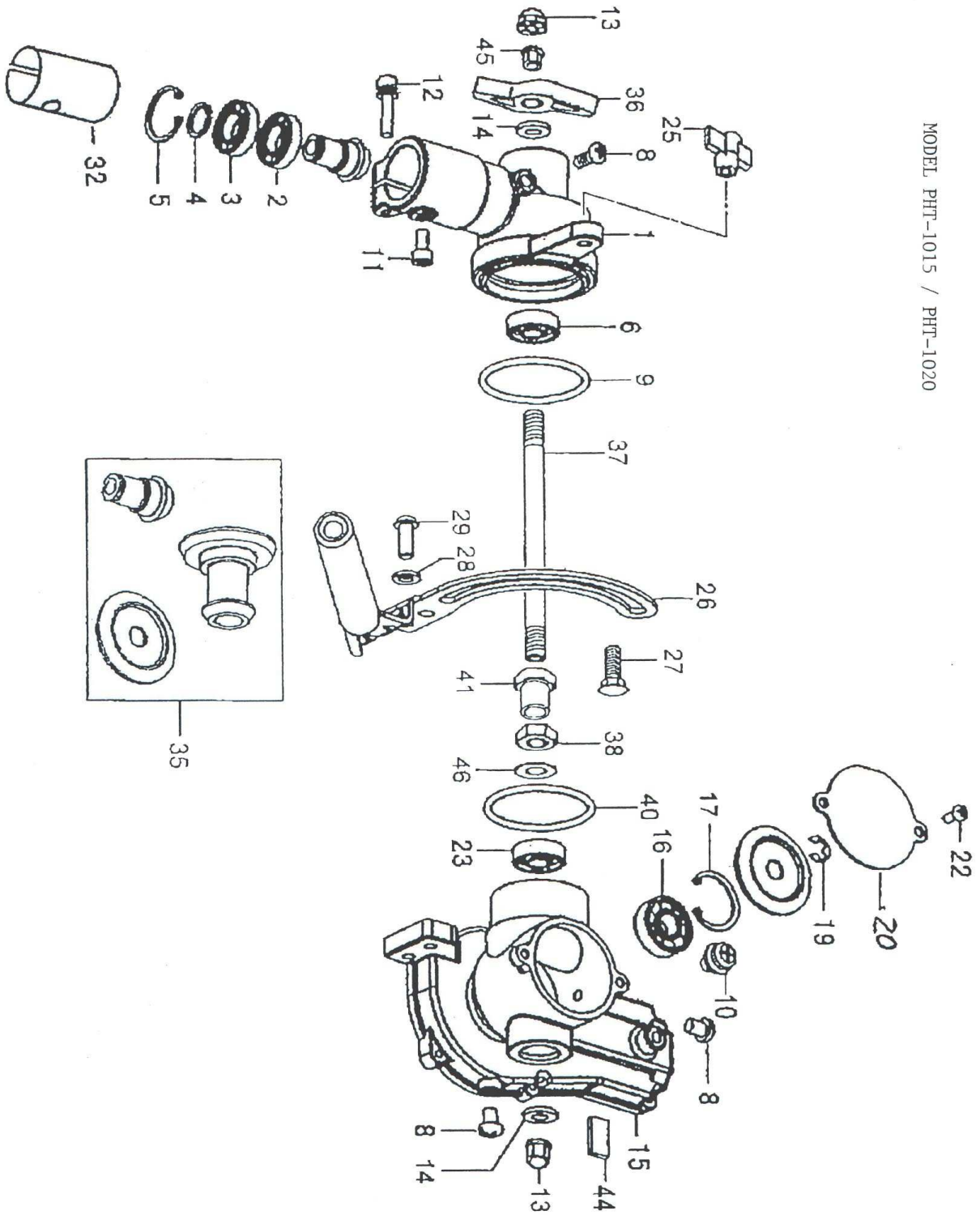


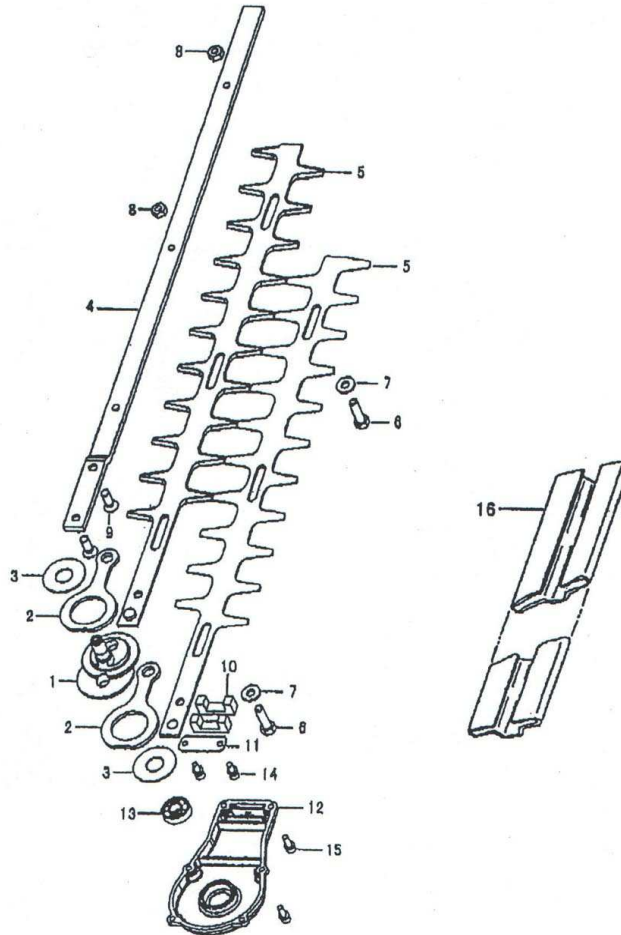
MODEL PHT-1015 / PHT-1020



PHT1020 1015 head part

PHT1020/1015 POLE HEDGE TRIMMER HEAD PART				ver. 1.2 JUL. 30, 2006
Pos.	CODICE	DESCRIZIONE	QUANTITA'	
1	300-32284-20	GEAR CASE A	1	
2	999-61690-100	BEARING, 6901 C3	1	
3	999-61690-101	BEARING, 6901ZZ C3	1	
4	993-52012-002	STOP RING, 12	1	
5	993-51024-002	STOP RING, 24	1	
6	999-61608-013	BEARING, 608ZZC3	1	
8	994-31060-081	SCREW, 6*8	3	
9	999-67041-000	O-RING, P-41	1	
10	994-13060-101	SCREW, 6*10P	1	
11	990-51050-103	BOLT, 5*10	1	
12	994-61050-224	BOLT, 5*22	1	
13	991-44080-022	NUT, 8	2	
14	027-31800-20	WASHER	2	
15	301-32280-25	GEAR CASE B	1	
16	999-61600-014	BEARING, 6000DD C3	1	
17	993-51026-002	STOP RING, 26	1	
19	993-55060-000	STOP RING, 6E	1	
20	327-32295-90	GEAR CASE COVER A ASSY	1	
22	990-11040-081	SCREW, 4*8	2	
23	999-61608-013	BEARING, 608ZZC3	1	
25	512-32285-80	HANDLE KNOB A ASSY	1	
26	033-32280-81	SLIDE GUIDE ASSY	1	
27	196-32285-20	BOLT	1	
28	992-10060-062	SPRING WASHER, 6	2	
29	990-53060-153	SCREW, 6*15	2	
32	348-33130-20	COLLAR B	1	
35	302-32282-00	GEAR SET PN	1	
36	512-32298-20	HANDLE KNOB	1	
37	305-32282-22	GEAR SHAFT	1	
38	991-01080-011	NUT	1	
40	071-32282-21	SIM	1	
40	071-32282-22	SIM	1	
40	071-32282-23	SIM	1	
41	096-32285-20	COLLAR, 26.8	1	
44	086-32286-20	GREASE STOPPER	1	
45	121-32530-20	NUT	1	
46	992-01100-011	WASHER	1	

MODEL PHT-1015/1020

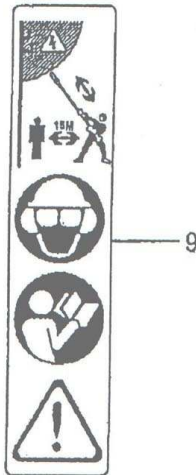
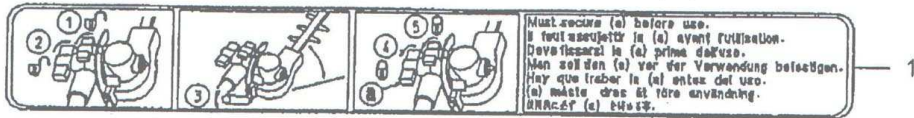


PHT1020/1015 POLE HEDGE TRIMMER HEAD PART

ver. 1.2 JUL. 30, 2006

Pos.	CODICE	DESCRIZIONE	QUANTITA'
1	100-32280-21	CUM SHAFT	1
2	101-33160-22	CUM ROD	2
3	075-32280-20	GUIDE PLATE, CUM ROD	2
4	122-33160-21	CUTTER GUIDE 625mm	1
5	120-32287-21	CUTTER	2
6	124-33202-21	BOLT, A	4
7	129-33202-20	WASHER	4
8	123-33202-20	NUT	4
9	990-52060-165	SCREW, 6*16	2
10	085-33160-20	GREASE STOPPER A	2
11	105-32280-20	PUSH PLATE, CUM ROD	1
12	328-32280-21	GEAR CASE COVER B	1
13	999-61608-014	BEARING, 608DD C3	1
14	994-61040-104	BOLT, 4*10S	2
15	994-61040-124	BOLT, 4*12S	6
16	138-33160-20	CUTTER COVER , L550	1

MODEL PHT-1015/1020



PHT1020/1015 POLE HEDGE TRIMMER HEAD PART

ver. 1.2 JUL. 30, 2006

Pos.	CODICE	DESCRIZIONE	QUANTITA'
page 3/3			
1	920-32285-21	MARK	1
9	907-32304-20	MARK	1